



# Dacia Sandero Stepway



# Introducing Dacia Sandero Stepway

All the style of a Sports Utility Vehicle. All the practicality of a family hatchback. Enjoy the best of both worlds with the new Sandero Stepway crossover.

Its raised ride height gives you a commanding view of the road ahead. Its black wheelarch extensions, side sills and front and rear scuff plates make it every inch a robust SUV. Yet there's a suave and sophisticated side to those rugged good looks: 16" 'Stepway' design wheels, satin chrome roof bars and a choice of four stunning metallic colours give Sandero Stepway an assured presence about town.

Off-roader style no longer means off-roader running costs. Sandero Stepway offers a choice of two frugal engines, which blend brisk performance with exceptional fuel efficiency and low CO<sub>2</sub> emissions. Using turbocharging technology, the state-of-the-art TCe 90 petrol engine generates an impressive 90hp from just 3-cylinders, yet achieves 52.3 mpg\*. Or, for ultimate cruising ability, choose the dCi 90 turbo-diesel engine, which achieves 70.6mpg\* and emits just 105 g/km of CO<sub>2</sub>. So, you really can enjoy the best of both worlds.

With prices starting from just **£7,995\*\*** on-the-road, Sandero Stepway is a crossover at supermini prices. Choose from two simple versions: the stylish and affordable Ambiance or the luxurious Lauréate, complete with MediaNav touchscreen navigation, air conditioning and rear parking sensors as standard.

Sandero Stepway. SUV style. Supermini costs.

\*On the combined cycle. Fuel consumption will vary according to driving style

\*\*Manufacturer's recommended retail price



# Equipment

## CORE FEATURES - Available on ALL versions of Dacia Sandero Stepway

### Exterior Features

- 16" 'Stepway' design wheels
- Body-coloured bumpers (front and rear upper section)
- Body-coloured door mirrors
- Fog light surrounds in satin chrome
- Black door handles
- Black side sills
- Black wheelarch extensions
- Metallic paint (choice of 4 colours)
- Raised ride height (+40mm vs Sandero)
- Roof bars - satin chrome
- Scuff plates - front and rear in satin chrome
- 'Stepway' logo on front door panel
- Tinted windows

### Interior Features

- Chrome air vent surrounds
- Chrome heating control inserts
- Chrome instrument dial surrounds
- Chrome steering wheel logo surround
- Graphite central console surround
- Graphite steering wheel lower insert
- Upholstery - Dark carbon 'Stepway' cloth

### Safety

- 3 x 3-point rear seatbelts
- Anti-lock braking system (ABS) and Emergency Brake Assist (EBA)
- Child locks in rear doors
- Door open - visual warning
- Driver's airbag

- ESC (Electronic Stability Control) with ASR (Traction control)
- Front side airbags
- Height-adjustable front headrests
- High-level third rear brake light
- ISOFIX points for child seats in both outer rear seats
- Passenger airbag with deactivation function
- Seatbelt not fastened - visual and audible warning
- Tyre inflation kit

### Security

- Thatcham-approved engine immobiliser

### Driving and Controls

- Gear shift indicator
- Headlights left on - audible and visual warning
- Power-assisted steering
- Rev counter

### Visibility and Exterior Lighting

- 3-speed front windscreen wipers
- Daytime running lights (DRL)
- Front courtesy light
- Heated rear window
- Rear wash / wipe
- Single optic headlights with chrome surrounds

### Comfort and Convenience

- 12v socket
- 4-speed heating and ventilation system
- 60/40 split folding rear seat (seatback only split)

## AMBIANCE - additional equipment over Core Features

### Safety

- 3 height-adjustable rear headrests (1x central fore/aft adjustable; 2x lateral standard)

### Security

- Anti-intruder automatic door-locking system
- Remote central locking

### Driving and Controls

- ECO mode

### Visibility and Exterior Lighting

- Front fog lights

### Comfort and Convenience

- Boot light
- Electric front windows
- Front passenger grabhandle
- Glovebox light
- Manually-adjustable door mirrors
- Manual rear windows
- Passenger vanity mirror in sunvisor

### Communication and Connectivity

- Radio with CD player including MP3 CD reader with fingertip controls and 2 front speakers
- AUX input
- Bluetooth connectivity
- USB connection for MP3 players

## LAUREATE - additional equipment over Ambiance

### Exterior Features

- Chrome front grille

### Interior Features

- Graphite front door handles
- Leather steering wheel and gearknob

### Safety

- 3 height-adjustable rear headrests (3x fore/aft adjustable)

### Driving and Controls

- 7-function on-board computer: odometer, trip computer, fuel used, average fuel consumption, fuel range, average speed; next service indicator; outside temperature gauge
- Cruise control and speed limiter
- Rear parking sensors

### Comfort and Convenience

- Electric rear windows
- Electrically-adjustable and heated door mirrors
- Height-adjustable driver's seat
- Height-adjustable steering wheel
- Manual air-conditioning
- Map pockets on front seatbacks
- Front passenger reading light
- Rear passenger grab handles with coat hook

### Communication and Connectivity

- MediaNav 7" touchscreen multimedia system including:
  - Radio with 24 AM/FM presets and sound by Arkamys
  - Satellite navigation (GB and Ireland mapping)
  - USB and AUX connection points
  - Bluetooth connectivity for handsfree telephony and streaming audio
  - Steering column-mounted fingertip controls



Model shown is a Sandero Stepway Lauréate in Azurite Blue



Rear parking sensors - standard on Lauréate only



MediaNav 7" touchscreen multimedia system - standard on Lauréate only

# Colours



Mercury (D69)



Cinder Red (B76)



Pearl Black (676)



Azurite Blue (RPL)

Colour Code	Commercial Name	Ambiance	Lauréate
<b>METALLIC</b>			
D69	Mercury	○	○
B76	Cinder Red	○	○
676	Pearl Black	○	○
RPL	Azurite Blue	○	○

# Wheels



16" 'Stepway' design wheels

	Ambiance	Lauréate
16" 'Stepway' design wheels	●	●

● = Standard ○ = Optional - = Not available

# Interior



Dark carbon 'Stepway' cloth upholstery



Lauréate interior with MediaNav



60/40 split folding rear seats



Graphite front door handles - Lauréate only

# Range Overview and Pricing

Version Name	Engines	Euro Status	HP	CO <sub>2</sub> g/km	CO <sub>2</sub> Band	Combined Fuel Consumption (mpg)	Benefit in Kind	Insurance Group	Basic Price	VAT 20%	Total Retail	Manufacturer's "on the road" R.R.P
Ambiance	TCe 90	5	90	124	D	52.3	15%	7E	£6,121	£1,224	<b>£7,345</b>	<b>£7,995</b>
	dCi 90	5	90	105	B	70.6	13%	10A	£6,954	£1,391	<b>£8,345</b>	<b>£8,995</b>
Lauréate	TCe 90	5	90	124	D	52.3	15%	8E	£7,621	£1,524	<b>£9,145</b>	<b>£9,795</b>
	dCi 90	5	90	105	B	70.6	13%	11A	£8,454	£1,691	<b>£10,145</b>	<b>£10,795</b>

## Options and Accessories

OPTIONS	Ambiance	Lauréate	Total Retail Price
Dark carbon leather upholstery <sup>(1)</sup>	-	○	£600.00
Emergency spare wheel	○	○	£95.00
European Mapping Upgrade	-	○	£90.00

(1) Genuine leather on central section; synthetic leather on side bolsters and rear

EXTENDED WARRANTY	Ambiance	Lauréate	Total Retail Price
5 yrs / 60,000 miles*	○	○	£395.00
7 yrs / 100,000 miles*	○	○	£850.00

\* From first date of registration. Warranty expires on the first of the two limits reached.

ACCESSORY PACKS	Ambiance	Lauréate	Total Retail Price
<b>TOURING PACK</b>			
Front central armrest			
Boot luggage net	○	○	£245.00
Transversal roof bars			
Monitor Carpet Mats – Front and Rear			

To find out about our full range of available accessories, please consult your local Dacia dealer.



# Technical Specifications

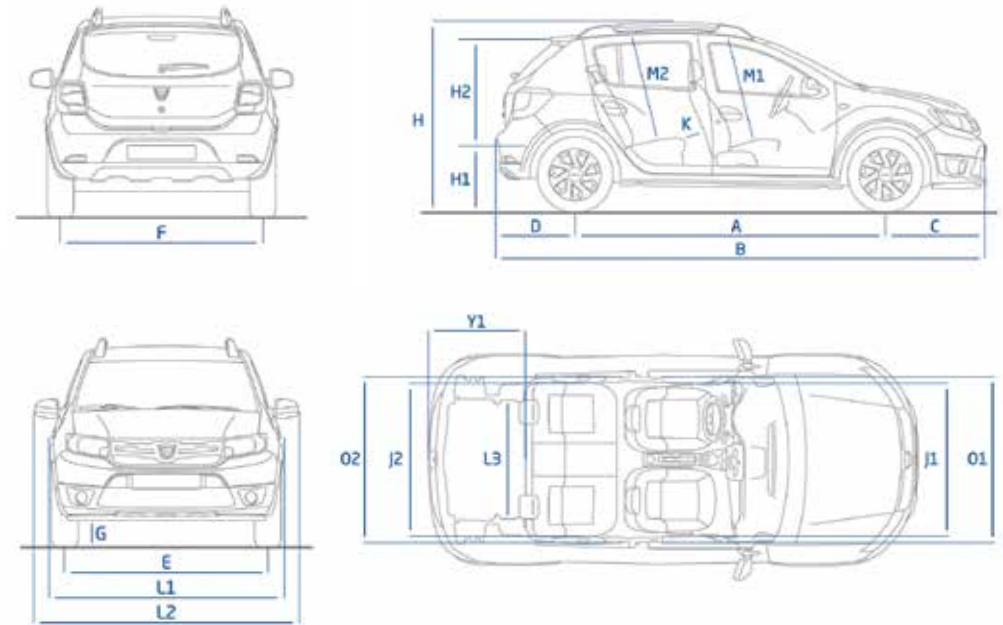
		TcE90	dCi90
ENGINE	Engine type	H4Bt 400	K9K 612
	Cubic capacity (cm <sup>3</sup> )	898	1,461
	Number of cylinders/valves	3 in line / 12	4 in line / 8
	Fuel	Unleaded petrol	Diesel
	Fuel injection type	Multipoint indirect	Commonrail direct
	Aspiration	Turbocharged	Turbocharged
	Particulate filter (PF)	-	Standard
	Bore x Stroke (mm)	72.2 x 73.1	76.0 x 80.5
	Compression ratio	9.5	15.5
	Peak power Kw (HP) @ RPM	66 (90) @ 5,250	66 (90) @ 3,750
Peak torque (Nm) @ RPM	135 @ 2,500	220 @ 1,750	
PERFORMANCE	Aerodynamics S (m <sup>2</sup> ) / Cx	0.910	0.910
	Maximum Speed mph (km/h)	104 (168)	104 (167)
	0- 62 mph - secs (0-100 km/h)	11.1	11.8
	0 - 1000m (secs)	33.1	33.8
	CO <sub>2</sub> (g/km)	124	105
FUEL CONSUMPTION* AND EMISSIONS (in l/100 km and g/km)	Urban cycle - mpg (l/100 km)	42.2 (6.7)	61.4 (4.6)
	Extra-urban cycle - mpg (l/100km)	61.4 (4.6)	76.4 (3.7)
	Combined cycle - mpg (l/100km)	52.3 (5.4)	70.6 (4.0)
	Drive type	Front-wheel drive	Front-wheel drive
GEARBOX	Gearbox type/index	JH3/336	JR5/373
	Number of forward gears	5	5
	Vehicle speeds (mph) per 1000 rpm: in 1st gear	4.28	5.40
	Vehicle speeds (mph) per 1000 rpm: in 2nd gear	8.15	10.29
	Vehicle speeds (mph) per 1000 rpm: in 3rd gear	12.92	16.32
	Vehicle speeds (mph) per 1000 rpm: in 4th gear	17.65	22.30
	Vehicle speeds (mph) per 1000 rpm: in 5th gear	24.17	30.53
STEERING	Steering type	Power-assisted (Hydraulic)	Power-assisted (Hydraulic)
	Turning circle between pavements / walls (m)	10.5	10.5
	Number of turns (lock-to-lock)	3.2	3.2
SUSPENSION	Front suspension type	Pseudo McPherson with triangular arm	Pseudo McPherson with triangular arm
	Rear suspension type	Flexible axle with programmed deflection and coil springs	Flexible axle with programmed deflection and coil springs
WHEELS / TYRES	Wheel size	6J16	6J16
	Tyre specification	205 / 55 R 16	205 / 55 R 16
BRAKING	Circuit type	X	X
	Front: Ventilated discs - diameter (mm) / thickness (mm)	258 / 22	258 / 22
	Rear: Drum - diameter (inches)	8	8
	Anti-lock Braking System (ABS)	Standard	Standard
	Electronic Brakeforce Distribution (EBD)	Standard	Standard
	Emergency Brake Assist (EBA)	Standard	Standard
	ESC (Electronic Stability Control)	Standard	Standard
FUEL TANK CAPACITY	Fuel tank capacity (litres)	50	50
	Kerb Weight (Excluding Driver) (kg)	1,023	1,083
WEIGHT	Unladen weight on front axle (kg)	630	691
	Unladen weight on rear axle (kg)	393	392
	Gross vehicle weight (kg)	1,550	1,600
	Gross train weight (kg)	2,340	2,390
TOWING CAPACITY	Max braked trailer (within gross train weight limit) (kg)	1,100	1,100
	Max unbraked trailer (kg)	545	575

\* Official Fuel consumption figures are produced for comparison purpose and are measured according to the European Directive 80/1268/EEC. These figures are specific for a vehicle type and not for a single car. Real world fuel (actual) consumption can vary as the fuel efficiency of a vehicle is influenced by driving behaviour, weather and road conditions. The use of technical equipment for example air conditioning, can also effect the fuel consumption. For further information, please visit the Vehicle Certification Agency web site [www.vca.gov.uk](http://www.vca.gov.uk)

# Dimensions

## EXTERIOR DIMENSIONS (mm)

A - Wheelbase	2,590
B - Overall bodywork length	4,081
C - Front overhang	835
D - Rear overhang	656
E - Front track	1,490
F - Rear track	1,481
G - Ground clearance (laden)	min 207
H - Unladen height with roof bars	1559 / 1618
H1 - Unladen sill height	799
H2 - Rear tailgate height	622
Unladen height with hatchback open	2,041
K - Rear knee room	144
L1 - Overall width without door mirrors	1,733
L2 - Overall width with door mirrors	1,994
M1 - Distance between hip joint and ceiling in front seats	900
M2 - Distance between hip joint and ceiling in rear seats	880
O1 - Front elbow room	1,417
O2 - Rear elbow room	1,436
J1 - Front shoulder width	1,387
J2 - Rear shoulder width	1,393
L3 - Interior width between wheel arches	1,005
Y1 - Loading length, rear seat in place	856
Height beneath parcel shelf	469
<b>BOOT VOLUME</b>	
Maximum boot capacity with rear seats in place (litres)	320
Maximum load capacity with rear seats folded down (litres)	1200



# Dacia Sandero Stepway



## Network

To find your nearest Dacia dealer, please consult the dealer locator on our website at [www.dacia.co.uk](http://www.dacia.co.uk). Alternatively, you can call our Dacia Customer Services helpline on 0844 3351111.

## Servicing

The service interval on all versions of Dacia Sandero Stepway is 1 year or 12,000 miles, whichever limit is reached first. Your local Dacia dealer is fully equipped to service your Dacia Sandero Stepway.

## Warranty

Your new Dacia is covered by a standard 3 year / 60,000 mile\* warranty package. Under the terms of this Warranty, your Dacia dealer is able to repair or replace, without charge, parts that are found to have a material or assembly defect that is recognised by Dacia. Your new Dacia also comes with a 2 year paintwork warranty, as well as a 6 year anti-corrosion warranty.

## Extended Warranty

At Dacia, we don't force you to pay a premium for a longer warranty if you don't want one, but we'll offer you the opportunity to purchase one if you do. By extending your warranty, you'll benefit from ongoing protection from mechanical and electrical failure after the standard manufacturer's warranty has expired. Extended warranties may be purchased at any time up to one year after the first date of registration. You can choose to extend your Warranty to the following levels:

- 5 years / 60,000 miles\*
- 7 years / 100,000 miles\*

## Roadside Assistance

We don't expect it to happen, but we'll ensure help is on hand if it does. In the event of a breakdown, help is just a phone call away with Dacia Assistance. This service is provided 24 hours a day, 365 days a year. We'll provide prompt roadside assistance in the UK and Northern Ireland for the first 3 years / 60,000 miles\*, in line with the terms of the standard manufacturer's Warranty.

\* From first date of registration. Expires on the first of the two limits reached.

Although every effort has been made to ensure that the information contained within this brochure is as accurate and up to date as possible, Renault U.K. reserves the right to modify its models without notice, including their characteristics, specifications, equipment and accessories. Brochures inevitably become out of date or inaccurate in some respects, in that such characteristics, specifications, equipment, or accessories may be changed after the publication date given below and can differ from the descriptions given. It is therefore necessary to check with your Dacia Dealer before purchasing any product that the characteristics, specifications, equipment or accessories of the vehicle on order are as advertised. Publication date April 2013.

CHARTERHOUSE - PART NUMBER 7701 380 796 - APRIL 2013

Renault UK Limited Customer Relations, The Rivers Office Park, Denham Way, Maple Cross, Rickmansworth, Hertfordshire, WD3 9YS - Tel: 0844 3351111