



Dacia Sandero



Introducing Dacia Sandero

Like attractive design? Need a spacious interior? Want modern technology, but don't want to break the bank? Say hello to Dacia Sandero.

Big car features.

Beneath its svelte form lies ample space for five adults. A split-folding rear seat and 320 litre boot make transporting luggage simple. Electronic Stability Control, anti-lock brakes and four front airbags ensure safety as standard. And, with Sandero Lauréate, air conditioning and cruise control mean maximum comfort on the move.

Big car technology.

Want cutting-edge design that's also intuitive to use? No problem. Simply opt for the MediaNav fully-integrated touchscreen multimedia system, featuring Bluetooth[®] connectivity and satellite navigation, all for just £300 on Lauréate. Then, there's the state-of-the-art TCe 90 3-cylinder petrol engine, which combines impressive performance with frugal fuel consumption and CO₂ emissions of just 109 g/km. Which means savings for you and the environment.

Small car prices.

At Dacia, we believe in giving you the choice to pay only for what you value. That's why our comprehensive standard 3 year / 60,000 mile* warranty may be extended up to 7 years / 100,000 miles*. Our simple range offers four trim levels to suit your individual needs: from the affordable Access to the luxurious Lauréate. And, with prices starting from just £5,995 on-the-road, there really is a Dacia Sandero for everybody.

* From first date of registration. Warranty expires on the first of the two limits reached.

^ For compatible devices, please refer to <http://www.dacia.co.uk/owner-services/multimedia/>

Manufacturer's "On The Road" Recommended Retail Price includes delivery to the dealer premises, number plates, a one-litre bottle of oil for all cars, 12 months government road fund licence (depending on CO₂ emissions) and First Registration Fee at £55. Other goods or services supplied by agreement between the customer and the Dealer are not included.

EU Directive and Regulation 692/2008 test environment figures. Fuel consumption and CO₂ may vary according to driving styles, road conditions and other factors.



Model shown is a Dacia Sandero Ambiance with optional Mercury metallic paint.



Equipment

CORE FEATURES - standard on all versions of Dacia Sandero

Exterior Features

- Tinted windows

Safety

- 3 x 3-point rear seatbelts
- Anti-lock braking system (ABS) and Emergency Brake Assist (EBA)
- Child locks in rear doors
- Door open - visual warning
- Driver's airbag
- ESC (Electronic Stability Control) with ASR (Traction control)
- Front side airbags
- Height-adjustable front headrests
- High-level third rear brake light
- ISOFIX points for child seats in both outer rear seats
- Passenger airbag with deactivation function
- Seatbelt not fastened - visual and audible warning
- Tyre pressure monitor
- Tyre inflation kit

Security

- Thatcham-approved engine immobiliser

Driving and Controls

- Gear shift indicator
- Headlights left on - audible and visual warning
- Power-assisted steering
- Rev counter

Visibility and Exterior Lighting

- 3-speed front windscreen wipers
- Daytime running lights (DRL)
- Front courtesy light
- Heated rear window
- Rear wash/wipe
- Single optic headlights with chrome surrounds

Comfort and Convenience

- 12v socket
- 4-speed heating and ventilation system
- 60/40 split folding rear seat (seatback only split)

ACCESS - additional equipment over core features

Exterior Features

- 15" 'Gobi' steel wheels
- Black bumpers
- Black door handles
- Black door mirrors

Interior Features

- Black air vent surrounds
- Black central console surround
- Black door handles (front and rear)
- Black 'Element' cloth upholstery

Visibility and Exterior Lighting

- Door mirrors - manually-adjustable

Comfort and Convenience

- Manual front windows
- Manual rear windows

Communication and Connectivity

- Pre-wiring for accessory-fit radio and speaker system

AMBIANCE - additional equipment over Access

Exterior Features

- 15" 'Colorado' wheel trims
- Body-coloured bumpers

Interior Features

- Chrome air vent surrounds
- Chrome steering wheel logo surround
- Two tone 'Atom' cloth upholstery

Safety

- 3 height-adjustable rear headrests

Security

- Anti-intruder automatic door-locking system
- Remote central locking

Driving and Controls

- ECO mode (TCe 90 and dCi 90 versions only)
- Stop & Start (TCe 90 and dCi 90 versions only)

Comfort and Convenience

- Boot light
- Electric front windows
- Front passenger grabhandle
- Passenger vanity mirror in sunvisor

Communication and Connectivity

- AUX input
- Bluetooth** connectivity
- Radio with CD player including MP3 CD reader with fingertip controls and 2 front speakers
- USB connection for MP3 players

LAUREATE - additional equipment over Ambiance

Exterior Features

- 15" 'Sahara' alloy wheels
- Body-coloured door handles
- Body-coloured door mirrors
- Chrome front grille

Interior Features

- Graphite central console surround
- Graphite front door handles
- Graphite steering wheel lower insert
- Chrome gear lever cap insert
- Chrome instrument dial surrounds
- Chrome heating control inserts
- Leather gearknob
- Dark carbon 'Quantum' cloth upholstery

Safety

- Height-adjustable front seatbelts

Driving and Controls

- 7-function on-board computer: odometer, trip computer, fuel used, average fuel consumption, fuel range, average speed, next service indicator, outside temperature gauge
- Cruise control and speed limiter

Visibility and Exterior Lighting

- Front fog lights
- Heated and electrically-adjustable door mirrors

Comfort and Convenience

- Height-adjustable driver's seat
- Height-adjustable steering wheel
- Manual air-conditioning
- Map pockets on front seatbacks
- Rear passenger grab handles

Communication and Connectivity

- Radio with CD player including MP3 CD reader with fingertip controls, 2 front speakers and 2 rear speakers



Discover the new 2016 Special Edition: **Ambiance Prime**

In addition to everything you would expect to find on Ambiance such as body coloured bumpers, electric front windows and Bluetooth** connectivity, there's some extra exterior equipment to make your car look great on the road. Ambiance Prime also includes an exclusive new metallic colour, 'Chestnut', 15" alloy wheels and front fog lights.

Ambiance Prime offers great looks and great value in the Dacia way: starting at £7,295^ for this stylish car.

Colours



Chestnut (CNG)

Equipment

All the standard features of Ambiance trim including:

- Body-coloured bumpers
- Two tone 'Atom' upholstery
- 3 height-adjustable rear headrests
- Remote central locking
- Stop&Start (TCe 90 and dCi 90 versions only)
- Electric Front windows
- Bluetooth** connectivity

Plus the following additional equipment as standard:

- Exclusive metallic paint: Chestnut
- 15" 'Aquila' alloy wheels
- Front fog lights

Wheels



15" 'Aquila' alloy wheels

Interiors and Upholstery



Two tone 'Atom' upholstery

MediaNav

Dacia's on-board touch screen tablet MediaNav provides access to useful and practical features including: navigation, media from multiple sources and handsfree telephone using Bluetooth® technology*. Enjoy stress free travel with Dacia MediaNav.



Navigation

Provided by Navteq with vocal guidance.



Music

FM/AM tuner, connect devices via USB and AUX sockets.



Phone

Bluetooth® technology* allows you to make and receive calls on the move.



Connectivity - MediaNav Evolution only

Smartphones with the AHA app can stream internet radio (uses phone data). Siri Eyes-Free for compatible iPhones (iOS 5 or later).

Colours

SOLID

METALLIC



Glacier White (369)



Cinder Red (B76)



Mercury (D69)



Pearl Black (676)



Slate Grey (KNA)



Chestnut (CNG)



Cosmos Blue (RPR)

Colour Code	Commercial Name	Access	Ambiance	Ambiance Prime	Lauréate
SOLID					
369	Glacier White	●	●	○ ^{FOC}	●
METALLIC					
B76	Cinder Red	-	○	○	○
D69	Mercury	-	○	○	○
676	Pearl Black	-	○	○	○
KNA	Slate Grey	-	○	○	○
CNG	Chestnut	-	-	●	-
RPR	Cosmos Blue	-	○	○	○

Wheels



15" 'Gobi' steel wheels



15" 'Colorado' wheel trims



15" 'Aquila' alloy wheels



15" 'Sahara' alloy wheels

	Access	Ambiance	Ambiance Prime	Lauréate
15" 'Gobi' steel wheels	●	-	-	-
15" 'Colorado' wheel trims	-	●	-	-
15" 'Aquila' alloy wheels	-	-	●	-
15" 'Sahara' alloy wheels	-	○	-	●

● = Standard ○ = Optional - = Not available FOC = Free of Charge option

Interiors and Upholstery

ACCESS



Black 'Element' cloth upholstery

AMBIANCE / AMBIANCE PRIME



Two tone 'Atom' cloth upholstery

LAUREATE



Dark carbon 'Quantum' cloth upholstery

Range Overview and Pricing

Version Name	Engines	CO ₂ g/km	CO ₂ Band	Combined Fuel Consumption (mpg)	HP	Benefit in Kind	Insurance Group	Basic Price (£)	VAT 20% (£)	Total Retail (£)	Manufacturer's "on the road" R.R.P. [†]
Access	1.2 16V 75	130	D	48.7	73	23%	4E	4,454.17	890.83	5,345.00	£5,995.00
Ambiance	1.2 16V 75	130	D	48.7	73	23%	5E	5,120.83	1,024.17	6,145.00	£6,795.00
	TCe 90	109	B	57.7	90	18%	6E	5,787.50	1,157.50	6,945.00	£7,595.00
	dCi 90	90	A	80.7	90	18%	8E	6,620.83	1,324.17	7,945.00	£8,595.00
Ambiance Prime	1.2 16V 75	130	D	48.7	73	23%	5E	5,537.50	1,107.50	6,645.00	£7,295.00
	TCe 90	109	B	57.7	90	18%	6E	6,204.17	1,240.83	7,445.00	£8,095.00
	dCi 90	90	A	80.7	90	18%	8E	7,037.50	1,407.50	8,445.00	£9,095.00
Lauréate	TCe 90	109	B	57.7	90	18%	7E	6,787.50	1,357.50	8,145.00	£8,795.00
	dCi 90	90	A	80.7	90	18%	10A	7,620.83	1,524.17	9,145.00	£9,795.00

[†] Manufacturer's "on the road" R.R.P. includes delivery to the dealer premises, number plates, 12 months government road fund licence (cost dependent on CO₂ emissions) and First Registration Fee at £55. Other goods or services supplied by agreement between the customer and the Dealer are not included. EU Directive and Regulation 692/2008 test environment figures. Fuel consumption and CO₂ may vary according to driving styles, road conditions and other factors.



Options and Accessories

OPTIONS	Access	Ambiance	Ambiance Prime	Lauréate	Total Retail Price†
Metallic paint	-	○	○*	○	£495.00
Comfort Pack					
- Electric rear windows	-	-	-	○	£100.00
- Leather steering wheel					
15" 'Sahara' alloy wheels	-	○	-	●	£425.00
Rear parking sensors	-	-	-	○	£250.00
MediaNav^ 7" touchscreen multimedia system including ⁽¹⁾ :					
- Radio with 2x front and 2x rear speakers					
- Satellite navigation (GB and Northern Ireland mapping)					
- USB and AUX connection points	-	-	-	○	£300.00
- Bluetooth®†† connectivity for handsfree telephony					
- Steering column-mounted fingertip controls					
European mapping upgrade to MediaNav ⁽²⁾	-	-	-	○	£90.00
Western European mapping upgrade to MediaNav Evolution ⁽³⁾	-	-	-	○	£90.00
Dark carbon leather upholstery ⁽⁴⁾	-	-	-	○	£500.00
Alarm ⁽⁵⁾	-	○	○	○	£300.00
Emergency spare wheel	○	○	○	○	£95.00

(1) Replaces standard fit radio with CD Player system. (2) Can only be ordered with MediaNav 7" touchscreen multimedia system. (3) Can only be ordered with MediaNav Evolution. (4) Genuine leather on central sections; synthetic leather on side and rear. (5) Post production fit. ^ Or MediaNav Evolution depending on build date. * Chestnut metallic paint free of charge. † For compatible devices, please refer to <http://www.dacia.co.uk/owner-services/multimedia/>

EXTENDED WARRANTY	Access	Ambiance	Ambiance Prime	Lauréate	Total Retail Price†
4 yrs / 60,000 miles*	○	○	○	○	£250.00
4yrs / 80,000 miles*	○	○	○	○	£295.00
5 yrs / 60,000 miles**	○	○	○	○	£395.00
7 yrs / 100,000 miles**	○	○	○	○	£850.00
SERVICE PLAN					
2yrs / 24,000 miles†	○	○	○	○	£280.00
3yrs / 30,000 miles†	○	○	○	○	£420.00
3yrs / 36,000 miles†	○	○	○	○	£500.00

Dacia warranty ends when you reach the age or mileage limit (whichever comes first). For full Warranty Terms and Conditions visit <http://www.dacia.co.uk/services-and-finance/warranty>. *Available to purchase from first date of registration up to end of manufacturer warranty. ** Available to purchase from first date of registration up to 12 months after registration. †The Service plan offer is available for vehicles ordered between 1st January 2016 and 30th September 2016 and registered in 2016 and valid at participating dealers only. The Service plan covers the manufacturer's minimum maintenance programme requirements for the term of the plan purchased (refer to the Warranty and Service sheet in the Handover Document wallet for details). The plan ends when you reach the age or mileage limit (whichever comes first). For Service plan full Terms & Conditions visit www.dacia.co.uk/services-and-finance/service-plan. Cannot be part exchanged, refunded or transferred.

ACCESSORY PACKS†	Access	Ambiance	Ambiance Prime	Lauréate	Total Retail Price†
PROTECTION PACK					
"Monitor" carpet mats - front and rear, Rear parking sensors, Boot liner	○	○	○	○	£225.00
TOURING PACK					
Front central armrest, Boot luggage net, Transversal roof bars	○	○	○	○	£280.00
STYLING PACK					
Front Bumper Grid, Fog Light Trims, Front Door Sills, Rear Door Sills	○	○	○	○	£185.00

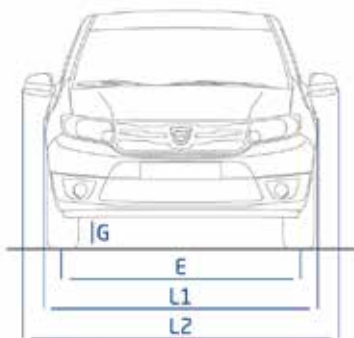
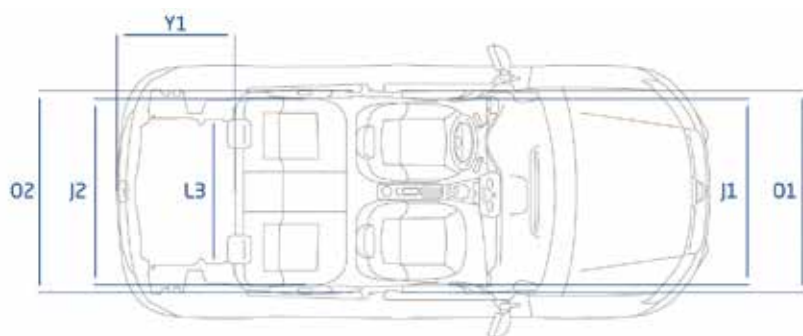
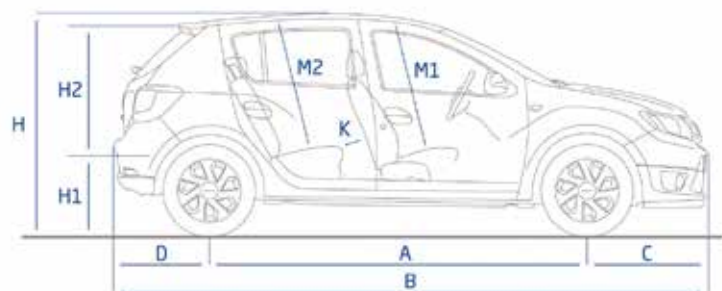
†Accessories pricing includes fitting. ‡Manufacturer's Recommended Retail Price

Technical Specifications

	1.2 16v 75	TcE 90	dCi 90	
ENGINE	Engine type	D4F 732	H4B 408	K9K 626
	Cubic capacity (cm ³)	1,149	898	1,461
	Number of cylinders/valves	4 in line / 16	3 in line / 12	4 in line / 8
	Fuel	Unleaded petrol	Unleaded petrol	Diesel
	Fuel injection type	Multipoint sequential	Multipoint sequential	Commonrail direct + multipoint injection
	Aspiration	Naturally-aspirated	Turbocharged	Turbocharged
	Particulate filter (PF)	-	-	Standard
	Bore x Stroke (mm)	69.0 x 76.8	72.2 x 73.1	76.0 x 80.5
	Compression ratio	9.8	9.5	15.5
	Peak power KW (HP) @ RPM	54 (73) @ 5,500	66 (90) @ 5,250	66 (90) @ 4,000
	Peak torque (Nm) @ RPM	107 @ 4,250	135 @ 2,250	220 @ 1,750
Stop and Start	No	Yes	Yes	
PERFORMANCE	Maximum Speed mph (km/h)	101(162)	109 (175)	107 (173)
	0- 62 mph - secs (0-100 km/h)	14.5	11.1	11.8
	0 - 400m (secs)	19.6	17.5	18.2
	0 - 1,000m (secs)	36.1	32.8	33.7
	CO ₂ (g/km)	130	109	90
FUEL CONSUMPTION* AND EMISSIONS	Urban cycle - mpg (l/100 km)	38 (7.4)	48.7 (5.8)	76.4 (3.7)
	Extra-urban cycle - mpg (l/100km)	57.7 (4.9)	65.7 (4.3)	83.1 (3.4)
	Combined cycle - mpg (l/100km)	48.7 (5.8)	57.7 (4.9)	80.7 (3.5)
	Drive type	Front-wheel drive	Front-wheel drive	Front-wheel drive
GEARBOX	Gearbox type/index	JH3/359	JH3/351	JR5/373
	Number of forward gears	5	5	5
	Vehicle speeds (mph) per 1000 rpm: in 1st gear	4.21	4.21	5.98
	Vehicle speeds (mph) per 1000 rpm: in 2nd gear	7.66	8.02	11.40
	Vehicle speeds (mph) per 1000 rpm: in 3rd gear	11.27	12.73	18.08
	Vehicle speeds (mph) per 1000 rpm: in 4th gear	15.24	17.37	24.69
	Vehicle speeds (mph) per 1000 rpm: in 5th gear	20.75	23.79	33.81
STEERING	Steering type	Power-assisted (Hydraulic)	Power-assisted (Hydraulic)	Power-assisted (Hydraulic)
	Turning circle between pavements / walls (m)	10.82	10.82	10.82
	Number of turns (lock-to-lock)	3.2	3.2	3.2
SUSPENSION	Front suspension type	Pseudo McPherson with triangular arm		
	Rear suspension type	Flexible axle with programmed deflection and coil springs		
WHEELS / TYRES	Wheel size	6J15	6J15	6J15
	Tyre specification	185 / 65 / R15 88T	185 / 65 / R15 88T	185 / 65 / R15 88T
	Front: - diameter (mm) / thickness (mm)	258 / 22	258 / 22	258 / 22
BRAKING	Rear: - diameter (inches)	8	8	8
	Anti-lock Braking System (ABS)	Standard	Standard	Standard
	Electronic Brakeforce Distribution (EBD)	Standard	Standard	Standard
	Emergency Brake Assist (EBA)	Standard	Standard	Standard
	ESC (Electronic Stability Control)	Standard	Standard	Standard
	FUEL TANK CAPACITY	Fuel tank capacity (litres)	50	50
Kerb Weight (Excluding Driver) (kg)		941	962	1,033
Unladen weight on front axle (kg)		572	588	662
WEIGHT	Unladen weight on rear axle (kg)	369	374	371
	Gross vehicle weight (kg)	1,500	1,520	1,590
	Gross train weight (kg)	2,250	2,300	2,350
	Max payload (kg)	559	558	557
	TOWING CAPACITY	Max braked trailer (within gross train weight limit) (kg)	1,100	1,100
Max unbraked trailer (kg)		505	515	550

* Official Fuel consumption figures are produced for comparison purpose and are measured according to the European Directive 80/1268/EEC. These figures are specific for a vehicle type and not for a single car. Real world fuel (actual) consumption can vary as the fuel efficiency of a vehicle is influenced by driving behaviour, weather and road conditions. The use of technical equipment for example air conditioning, can also effect the fuel consumption. For further information, please visit the Vehicle Certification Agency web site www.vca.gov.uk.

Dimensions



EXTERIOR DIMENSIONS (mm)

A - Wheelbase	2,589
B - Overall bodywork length	4,058
C - Front overhang	813
D - Rear overhang	656
E - Front track	1,493
F - Rear track	1,476
G - Ground clearance	148
H - Unladen height	1,518
H1 - Unladen sill height	761
H2 - Rear tailgate height	622
Unladen height with hatchback open	2,004
J1 - Front shoulder width	1,387
J2 - Rear shoulder width	1,393
K - Rear knee room	144
L1 - Overall width without door mirrors	1,733
L2 - Overall width with door mirrors	1,994
L3 - Interior width between wheel arches	1,005
M1 - Distance between hip joint and ceiling in front seats	900
M2 - Distance between hip joint and ceiling in rear seats	880
O1 - Front elbow room	1,417
O2 - Rear elbow room	1,436
Y1 - Loading length, rear seat in place	856
Height beneath parcel shelf	469

BOOT VOLUME

Maximum boot capacity with rear seats in place (litres)	320
Maximum load capacity with rear seats folded down (litres)	1,200

Dacia Sandero



Network

To find your nearest Dacia dealer, please consult the dealer locator on our website at www.dacia.co.uk. Alternatively, you can call our Dacia Customer Services helpline on 0344 3351111.

Servicing

The service interval on all versions of Dacia Sandero is 1 year or 12,000 miles, whichever limit is reached first. Your local Dacia dealer is fully equipped to service your Dacia Sandero.

Warranty

Your new Dacia is covered by a standard 3 year / 60,000 mile* Warranty package. Under the terms of this Warranty, your Dacia dealer is able to repair or replace, without charge, parts that are found to have a material or assembly defect that is recognised by Dacia. Your new Dacia also comes with a 2 year paintwork warranty, as well as a 6 year anti-corrosion warranty.

Extended Warranty

At Dacia, we don't force you to pay a premium for a longer warranty if you don't want one, but we'll offer you the opportunity to purchase one if you do. By extending your warranty, you'll benefit from ongoing protection from mechanical and electrical failure after the standard manufacturer's warranty has expired. You can choose to extend your Warranty to the following levels:

- 5 years / 60,000 miles*
- 7 years / 100,000 miles*

Roadside Assistance

We don't expect it to happen, but we'll ensure help is on hand if it does. In the event of a breakdown, help is just a phone call away with Dacia Assistance. This service is provided 24 hours a day, 365 days a year. We'll provide prompt roadside assistance in the UK and Northern Ireland for the first 3 years / 60,000 miles*, in line with the terms of the standard manufacturer's Warranty.

* From first date of registration. Warranty expires on the first of the two limits reached.

Although every effort has been made to ensure that the information contained within this brochure is as accurate and up to date as possible, Dacia UK reserves the right to modify its models without notice, including their characteristics, specifications, equipment and accessories. Brochures inevitably become out of date or inaccurate in some respects, in that such characteristics, specifications, equipment, or accessories may be changed after the publication date given below and can differ from the descriptions given or the photos displayed. It is therefore necessary to check with your Dacia Dealer before purchasing any product that the characteristics, specifications, equipment or accessories of the vehicle on order are as advertised.

CHARTERHOUSE - PART NUMBER 7701 380 790 - JULY 2016
Dacia UK Customer Relations, The Rivers Office Park, Denham Way, Maple Cross, Rickmansworth, Hertfordshire, WD3 9YS - Tel: 0344 3351111